

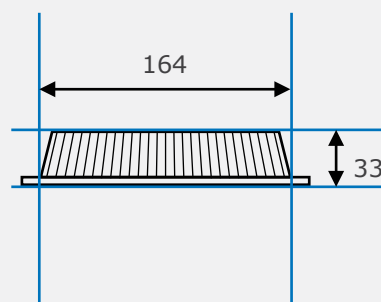
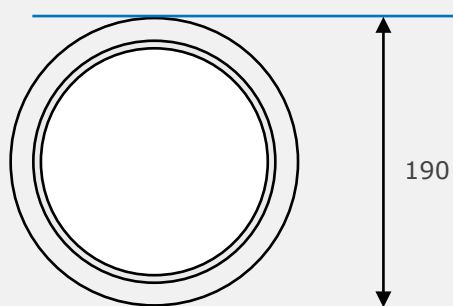


Luminescence 12W LED Downlight

Technical Product Specification



Mechanical Dimensions



Notes

- 1) All dimensions are in millimetres. (Tolerance : ± 0.2)
- 2) Scale: None

Technical Characteristics

	Luminescence 12W LED Downlight 3000K	Luminescence 12W LED Downlight 4000K	Luminescence 12W LED Downlight 6500K	Luminescence 12W LED Downlight 6500K
Voltage	220V	220V	220V	220V
Power	12W	12W	12W	12W
Power Factor	0.95	0.95	0.95	0.95
Luminous Flux	1080lm	1040lm	1200lm	1200lm
CCT	3000K	4000K	6500K	6500K
CRI	> 80	> 80	> 80	> 80
Lifespan	> 30,000hrs	> 30,000hrs	> 30,000hrs	> 30,000hrs
Operating Temperature	-10~60°C	-10~60°C	-10~60°C	-10~60°C
Storage Temperature	-20~80°C	-20~80°C	-20~80°C	-20~80°C
Beam Angle	115°	115°	115°	115°
Voltage	220V	220V	220V	220V
Power	12W	12W	12W	12W
Power Factor	0.95	0.95	0.95	0.95
Luminous Flux	1080lm	1080lm	1080lm	1080lm
CCT	3000K	3000K	3000K	3000K
CRI	> 80	> 80	> 80	> 80
Lifespan	> 30,000hrs	> 30,000hrs	> 30,000hrs	> 30,000hrs
Operating Temperature	-10~60°C	-10~60°C	-10~60°C	-10~60°C
Beam Angle	-20~80°C	-20~80°C	-20~80°C	-20~80°C