

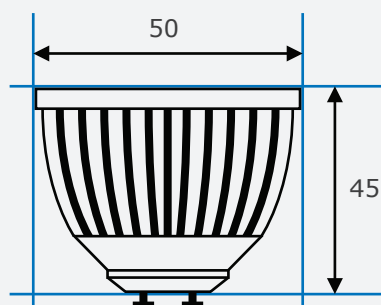


Luminescence LED MR16 Bulb

Product Data Sheet



Mechanical Dimensions



Notes

- 1) All dimensions are in millimetres. (Tolerance : ± 0.2)
- 2) Scale: None

Technical Characteristics

	Luminescence 4W LED MR16 Bulb 3000K	Luminescence 4W LED MR16 Bulb 6500K
Voltage	220V	220V
Power	4W	4W
Power Factor	0.8	0.8
Luminous Flux	300lm	380lm
CCT	3000K	6500K
CRI	> 80	> 80
Lifespan	> 30,000hrs	> 30,000hrs
Operating Temperature	-40~100°C	-40~100°C
Storage Temperature	-30~85°C	-30~85°C
Beam Angle	60°	60°
Base	GU10	GU10
Dimmable	Yes	Yes